

IDEMAG - Magnetic Non Contact Type: BPR (M18 Plastic)

FEATURES:

M18 cylindrical fitting suitable for all industry applications.
 Easy to install - M18 threaded body - easy to set
 Wide 10mm sensing
 Suitable for harsh environments of Food Processing and Packaging
 High specification red polyester housing
 Up to: PLe ISO13849-1
 2NC 1NO circuits
 Quick Connect versions available

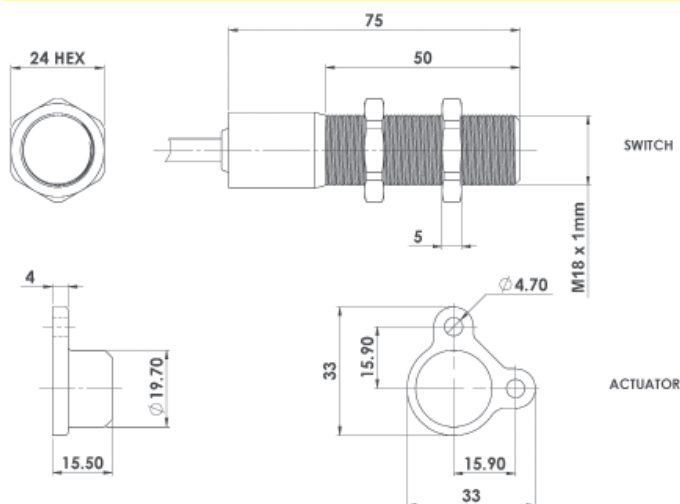
Magnetic Actuation

Switching Tolerance up to 10mm

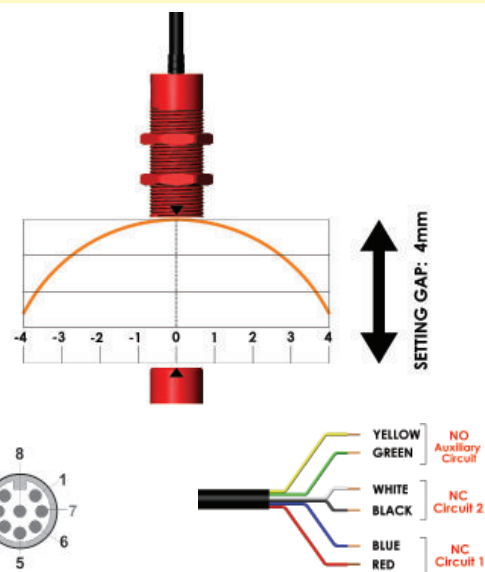
Will operate with most Safety Relays
 Quick Connect versions available



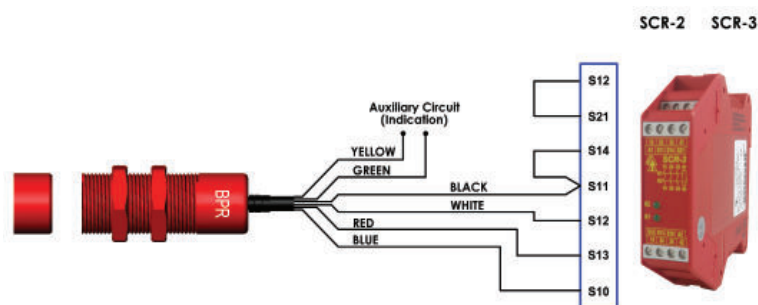
DIMENSIONS:



SETTING GAP:



CONNECTION EXAMPLE: Magnetic Switches



One switch connected to an SCR-2 or SCR-3 to give Dual Channel guard monitoring with Automatic Start.

Standards: ISO14119 EN60947-5-3
 EN60204-1 ISO13849-1 EN62061 UL508

Safety Classification and Reliability Data:

Mechanical Reliability B10D	3.3 x 10 ⁶ operations at 100mA load
ISO13849-1	Up to PLe depending upon system architecture
Safety Data – Annual Usage	8 cycles per hour/24 hours per day/365 days
	MTTFd 470 years
Safety Channel 1 NC	Voltage Free: 250Vac 0.5A Max. Rating
Safety Channel 2 NC	Voltage Free: 250Vac 0.5A Max. Rating
Safety Channel 3 NO	Voltage Free: 24Vdc 0.2A Max. Rating
Minimum Switched Current	10Vdc 1mA
Dielectric Withstand	250Vac
Insulation Resistance	100 Mohms
Recommended Setting Gap	5mm
Switching Distance (Target to Target)	Sao 8mm Close Sar 20mm Open
Tolerance to Misalignment	4mm in any direction from 4mm setting gap
Switching Frequency	1.0Hz maximum
Approach Speed	200mm/min to 1000mm/sec
Body Material	UL approved polyester
Operating Temperature	-25C +80C
Enclosure Protection	IP69K IP67
Shock Resistance	IEC68-2-27 11ms 30g
Vibration Resistance	IEC68-2-6 10-55Hz 1mm
Cable Type	PVC 6 core 6mm OD Conductors 0.25mm ²
Mounting Position	Any

For all IDEM switches the normally closed (NC) circuits are closed when the guard is closed and the actuator is present.

Quick Connect QC M12 8 Way Male Plug Pin view from Switch	Standard Lead Colour	Circuit (Actuator Present)
4	Yellow	NO
6	Green	NO
7	Black	NC2
1	White	NC2
2	Red	NC1
3	Blue	NC1

SALES NUMBER	TYPE	CABLE LENGTH	CIRCUITS
415009	Idemag BPR Plastic	2M	2NC
415010	Idemag BPR Plastic	5M	2NC
415011	Idemag BPR Plastic	10M	2NC
415012	Idemag BPR Plastic	QC-M12	2NC
415013	Idemag BPR Plastic	2M	2NC 1NO
415014	Idemag BPR Plastic	5M	2NC 1NO
415015	Idemag BPR Plastic	10M	2NC 1NO
415016	Idemag BPR Plastic	QC-M12	2NC 1NO

140101	Female QC Lead	M12 Female 5m. 8 way
140102	Female QC Lead	M12 Female 10m. 8 way