



C12 series

M12 cylindrical capacitive sensors



M12 cylindrical inductives

features

- DC supply voltage
- High noise immunity
- Shielded and unshielded models
- Adjustable sensitivity by Teach-in button
- Plastic housing



web contents



- Application notes
- Photos
- Catalogue / Manuals



available models

C12 P / 0 0 - 3 E

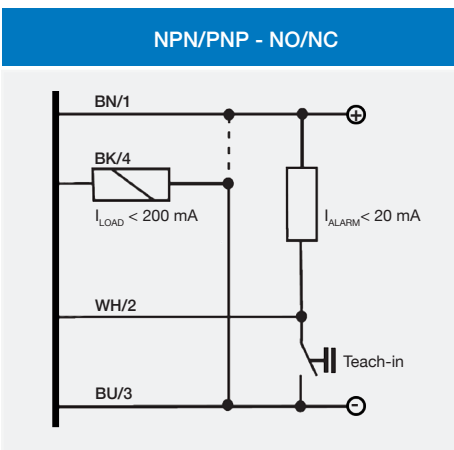
series	C12	M12 capacitive sensor
housing	P	Plastic housing
output state	0	NO/NC
output logic	0	PNP/NPN
	3	Sensing distance up to 8mm
connect.	E	M12 plug exit
	A	2 m cable exit

available models

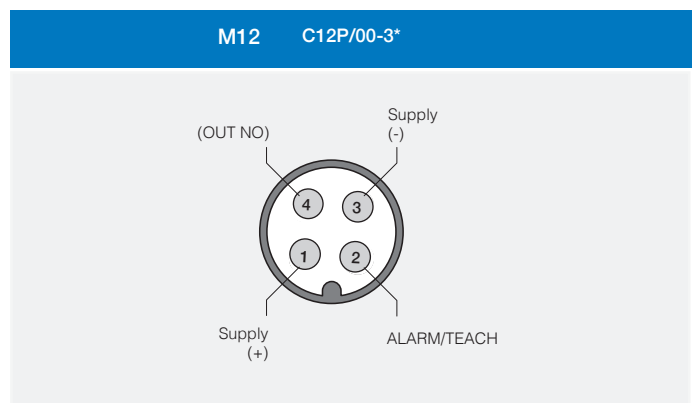
supply	installation	connections	distance (mm)	NPN/PNP NO/NC
10...40 Vcc	shielded and unshielded	cable 2 m	0,5...8	C12P/00-3A
		M12		C12P/00-3E

C12P/00-3A	
nominal sensing distance	0,5...4 mm (shielded); 0,5...8 mm (unshielded)
hysteresis	≤ 20%
repeatability	5%
operating voltage	10 ... 40 Vcc
max ripple content	≤ 10 %
no-Load supply current	≤ 12 mA
load current	≤ 200 mA (minimum operational current: ≥ 1mA)
leakage current	≤ 0,3 mA
output voltage drop Ud	2.5 Vmax @ IL= 200 mA
output type	NPN or PNP - NO or NC
switching frequency	≤ 15 Hz
power on delay	≤ 200 ms
power supply protections	polarity reversal, impulsive overvoltage
output protection	autoreset short circuit, overvoltage (dc models)
sensitivity adjustment	●
storage temperature	-20 ... +85° C
operating temperature range	-25 ... +80° C (without freeze)
temperature drift	≤ 20 %
EMC	in conformity with the EMC Directive, according to IEC 60947-5-2
protection degree	IP67 (IEC 60529) NEMA 1,3,4,6,13
LEDs	yellow (output status Lon/Don)
housing material	thermoplastic polyester
active head material	polyester
weight	30 g M12 connector / 110 g cable

electrical diagrams of connections



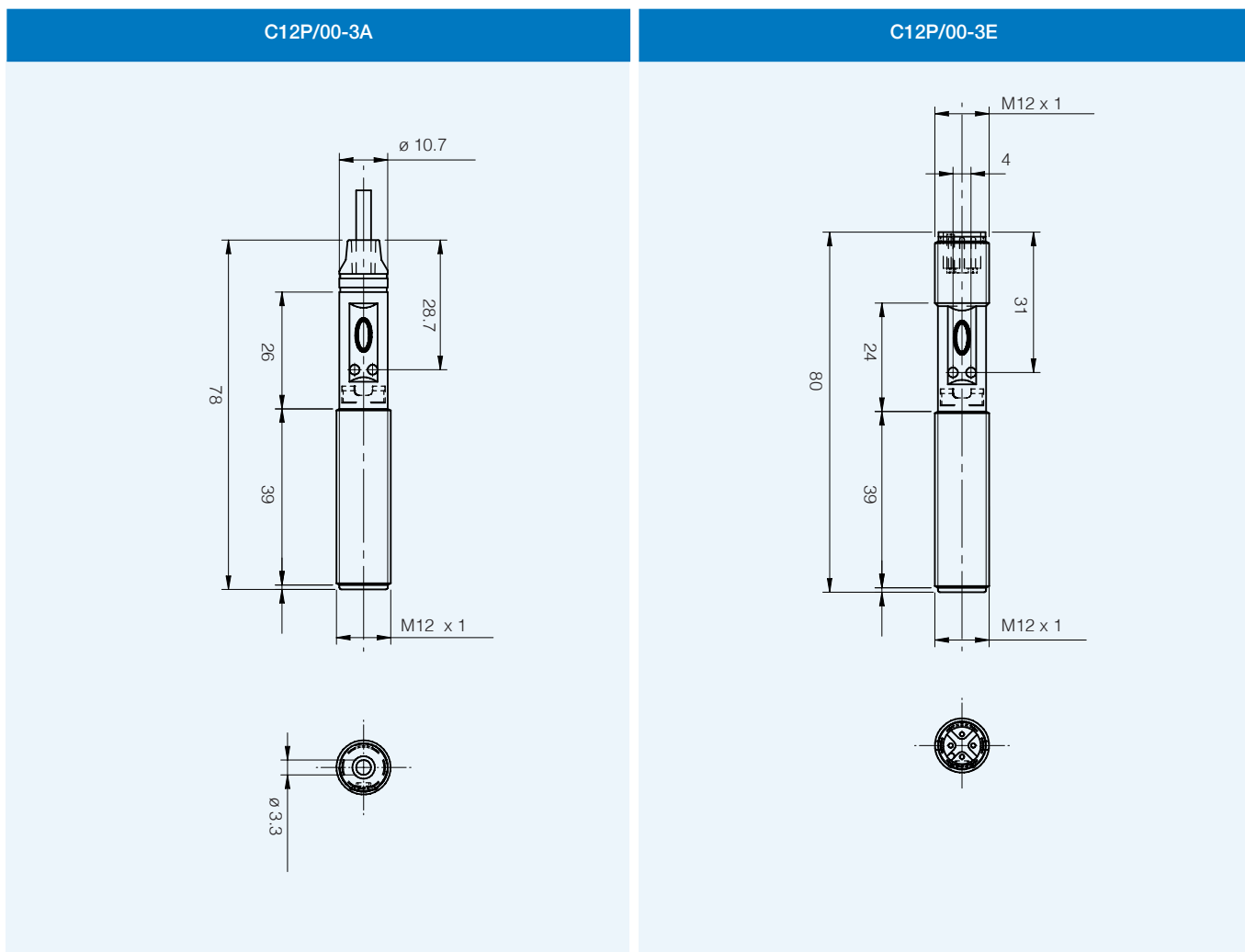
plug



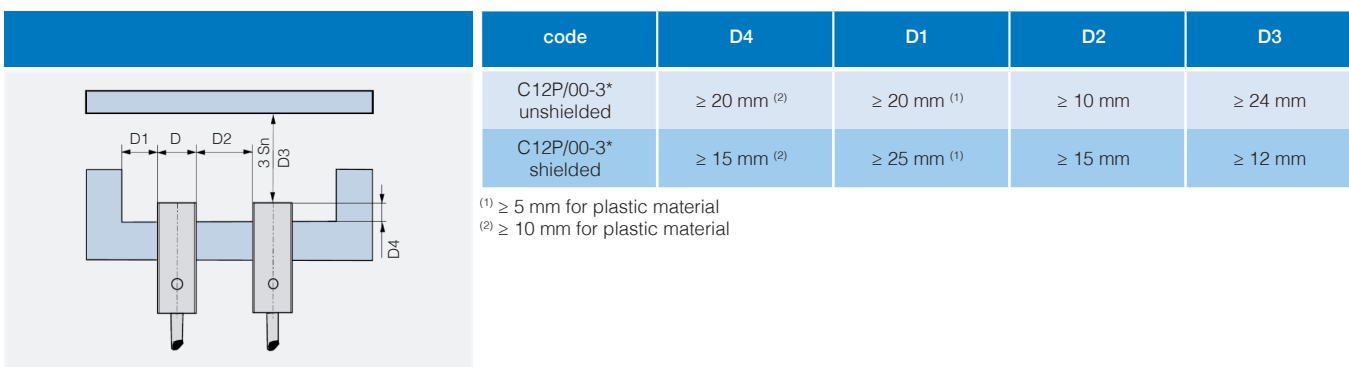
If the alarm output is unuse, it has to be connected to POS

PNP/NPN load is automatically detected

dimensions (mm)

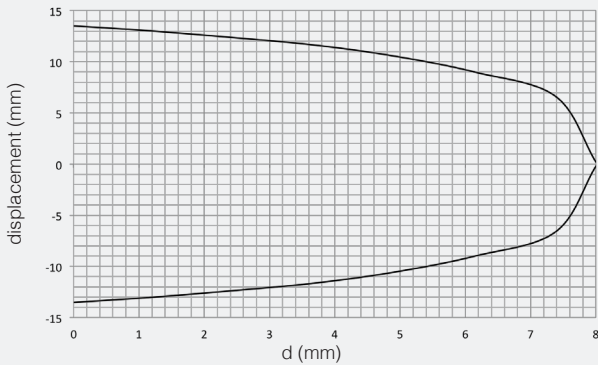


installation

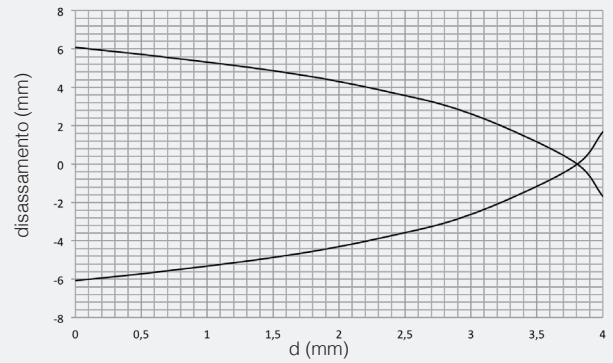


dimensions (mm)

C12P/00-3* - unshielded



C12P/00-3* - shielded

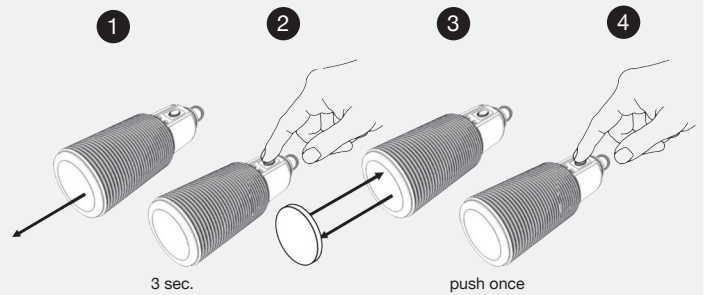


teach-in functions

Normal operation, optimized switching point

1. Mount the sensor in the application without the target present. Yellow LED is not important and green LED is ON.
2. Press the button for 3 seconds until both LEDs are flashing simultaneously. (The background is stored)
3. Place the target in the detection zone.
4. Press the button once and the sensor is ready to operate (green LED ON, yellow LED ON) (The second switch point is stored).

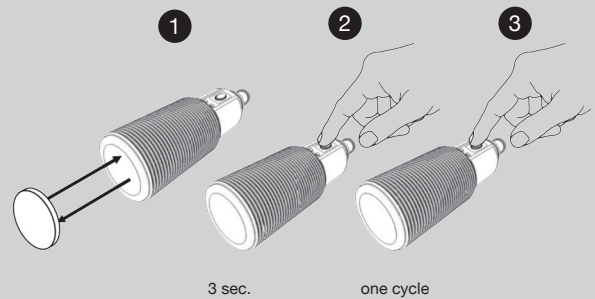
If the target is too close to the background, the sensor will perceive both background and object as background and the LEDs will alternate 3 times.



For dynamic set-up (running process)

1. Line up the sensor at the target. Green LED is ON, status on the yellow LED is not important.
2. Press the button for 3 seconds until both LEDs are flashing simultaneously.
3. Press and hold the button a second time for at least one second (both LEDs are flashing simultaneously and fast) and keep the button pressed for at least one process cycle. Release the button and the sensor is ready to operate (the switch point is stored into the sensor and is optimized respecting both background and target information).

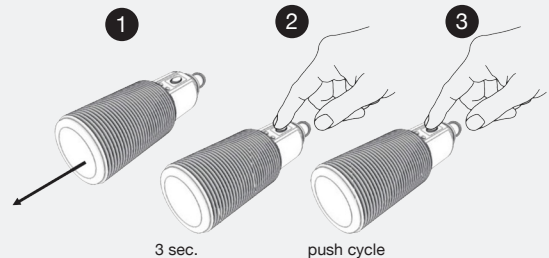
A more precise setting is possible if several process cycles are analysed.



For maximum sensing distance (default setting)

1. Mount the sensor in the application without the target present. Yellow LED is not important and green LED is ON.
2. Press the button for 3 seconds until both LEDs are flashing simultaneously. (The background information is stored)
3. Press the button a second time and the sensor is ready to operate (green LED ON, yellow LED ON)

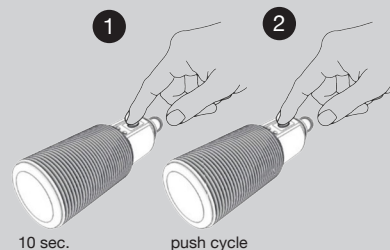
(The sensor is set up with the maximum sensing distance that is not influenced by the background).



For make or break set-up (N.O. or N.C.)

1. Press the button for 10 seconds, until the green LED flashes.
2. While the green LED flashes, the output is inverted each time the button is pressed. Yellow LED indicates N.O. function selected.

If the button is not pressed within the next 16 seconds, the current output is stored.



Factory settings

Press the button for 16 sec.