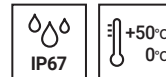


Multiple Color Programmable LED Signal Beacon Light with IO-Link Technology

QDB50-IOL



PRODUCT SPECIFICATION

QDB50-IOL

Materials Housing-Al, Lens-PC
Ambient operating temperature 0°C to +50°C
Protection rating IP67

- State-of-the-art multi colored LED Signal Beacon Light with IO-Link technology
- Signaling device optimized for Industry 4.0
- Plug & play technology applied for immediate operation when mounted on an international standard M12 connector
- 8 types of preset color modes and user-defined settings
- Convenient environment setting possible via IO-Link
- High protection rating of IP67 allows use in various environments
- Ambient operating temperature: 0°C to +50°C



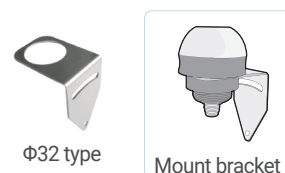
QDB50

QDB50 1-Segment IOL Lights

Model number	Voltage	Certificates	Weight	Color
QDB50-IOL Steady	DC24V	IO-Link CE UK CA	0.116kg	<ul style="list-style-type: none"> ● R-Red ● G-Green ● Y-Yellow ● B-Blue ○ W-White ● O-Orange ● P-Pink ● Custom

Bracket

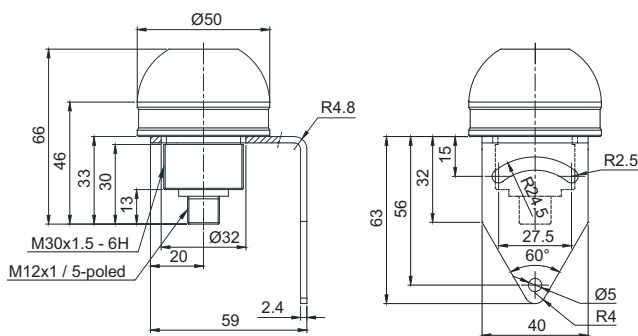
It can be installed on the wall by adopting wall mounting type bracket.



Technical Diagram

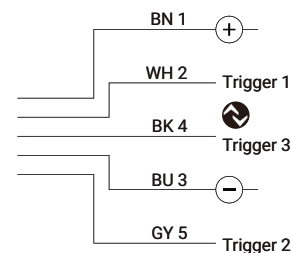
QDB50-IOL

Units : mm



Wiring Instructions

QDB50



Ordering Specification

QDB50-IOL	-	24
[Model number]		[Voltage]
QDB50-IOL		24-DC24V

Operating mode: External trigger

TRIG 1	TRIG 2	TRIG 3	Pre-set	Factory setting
0	0	0	1	Off
1	0	0	2	Red
0	1	0	3	Green
1	1	0	4	Yellow
0	0	1	5	Blue
1	0	1	6	Red blinking
0	1	1	7	Green blinking
1	1	1	8	Yellow blinking

All Trigger Inputs have a delay-50 ms.
Pre-sets can be defined via IO-Link.

Signal Color Options

