

QuMax for Teltonika TRB160

Integrated outdoor multi-band high power LTE directional antenna + place to install Teltonika TRB160 (All-in-one)

QuMAX offers the most powerful directional LTE antenna of all QuWireless antennas. It is dedicated to connections with long distance to base station. It is designed to have Teltonika **TRB160** router installed inside IP67 enclosure. It is the first choice for fixed installations in industrial environment.



ALL ANTENNAS AND TELTONIKA ROUTER INTEGRATED **IN ONE ENCLOSURE**



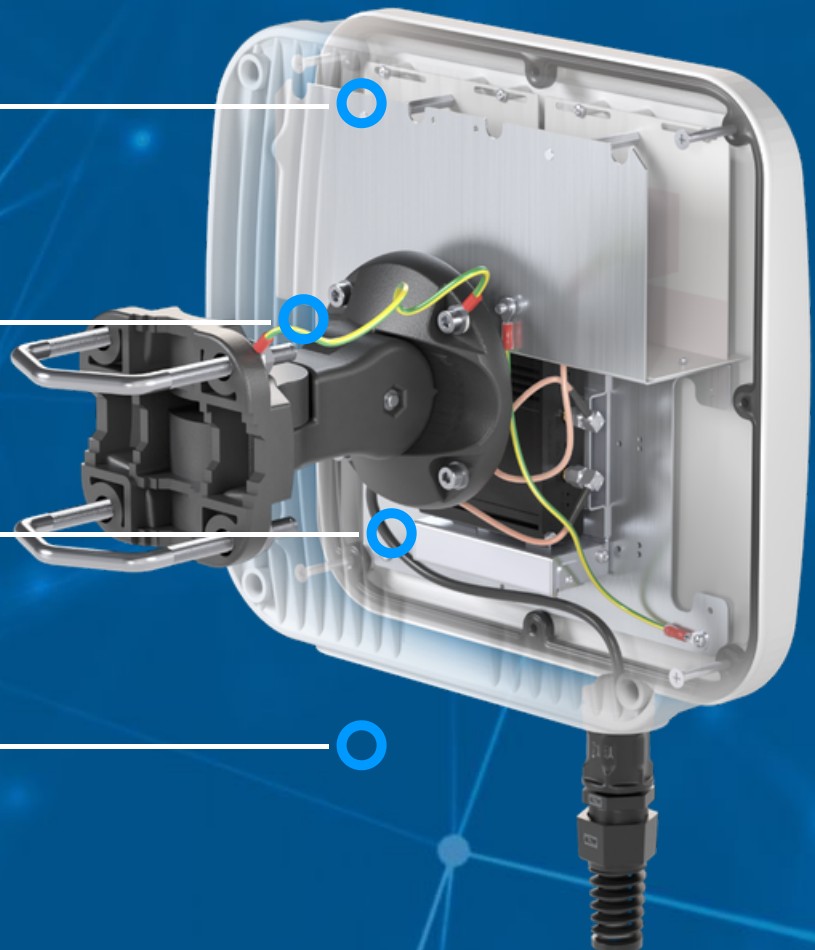
OUTDOOR ANTENNA WORKS IN ANY WEATHER CONDITIONS, IP67



ANTENNA **PERFECTLY MATCHED** WITH THE ROUTER



MADE IN **EUROPE**



LTE ANTENNA SPECIFICATION

FREQUENCY	694 - 960 MHz 1.7 - 2.2 GHz 2.2 - 2.7 GHz
SUPPORTED LTE/5G BANDS	1, 2, 3, 4, 5, 6, 7, 8, 9, 10, 12, 13, 14, 17, 18, 19, 20, 23, 25, 26, 27, 28, 29, 30, 33, 34, 35, 36, 37, 38, 39, 40, 41, 44, 53, 59, 62, 65, 66, 67, 68, 69, 85, n80, n81, n82, n83, n84, n86, n89, n90, n95
GAIN	694 - 960 MHz : 4 dBi 1.7 - 2.2 GHz : 5 dBi 2.2 - 2.7 GHz : 6 dBi
FRONT-TO-BACK	>8 dB
VSWR	<1.30, max <1.80
BEAMWIDTH	90°/90° ±30°
POLARIZATION	Vertical
IMPEDANCE	50 Ω
CONNECTOR	2x SMA

MECHANICAL SPECIFICATION

MATERIALS	ABS, aluminum, PTFE, Fiberglass
CONNECTOR TYPE	RJ45
INGRESS PROTECTION	IP67
DIMENSIONS	272 x 276 x 96 mm 10.71 x 10.87 x 3.78 inch
WEIGHT	1.8 kg 3.97 lbs
OPERATING TEMPERATURE	From -40°C to 80°C From -40°F to 176°F
MAST DIAMETER	25-66mm 0.98-2.60 inch

FREQUENCY BANDS

LTE / 4G GSM	5	6	8	12	13	14	17	694 MHz	960 MHz
	18	19	20	25	27	28	29		
	44	67	68	85	n81	n82	n83		
	n89								
LTE / 4G UMTS	1	2	3	4	9	10	25	1710 MHz	2170 MHz
	33	34	35	36	37	39	59		
	62	n80	n84	n86	n95				

LTE / 4G WCS DARS

 2300
MHz

30

40

 2400
MHz

LTE / 4G

 2400
MHz

7

38

41

53

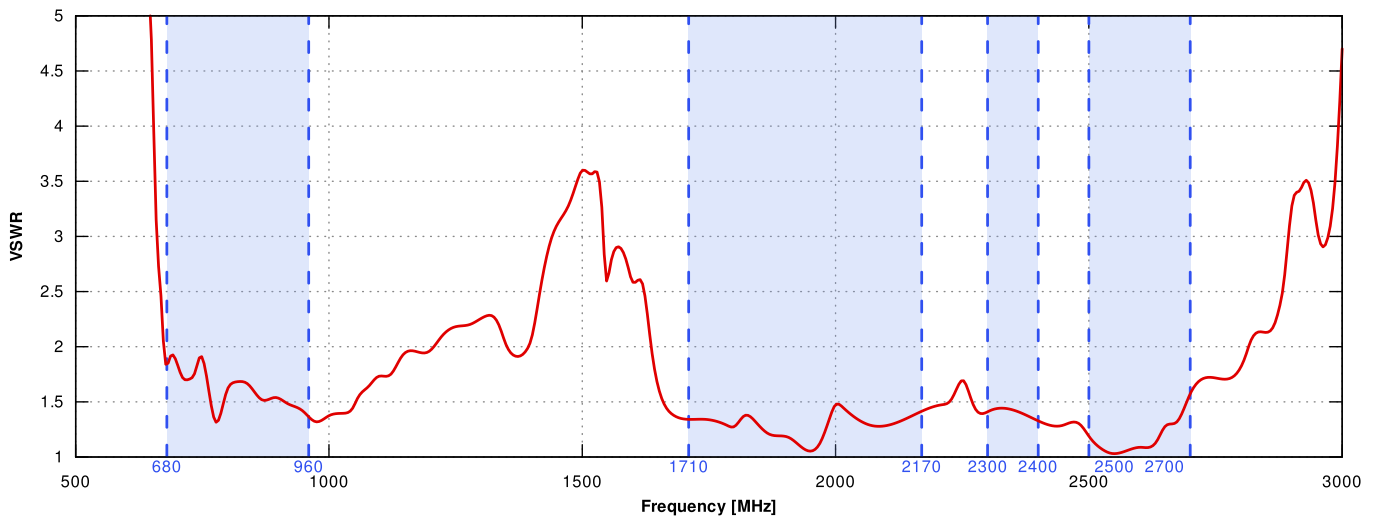
69

n90

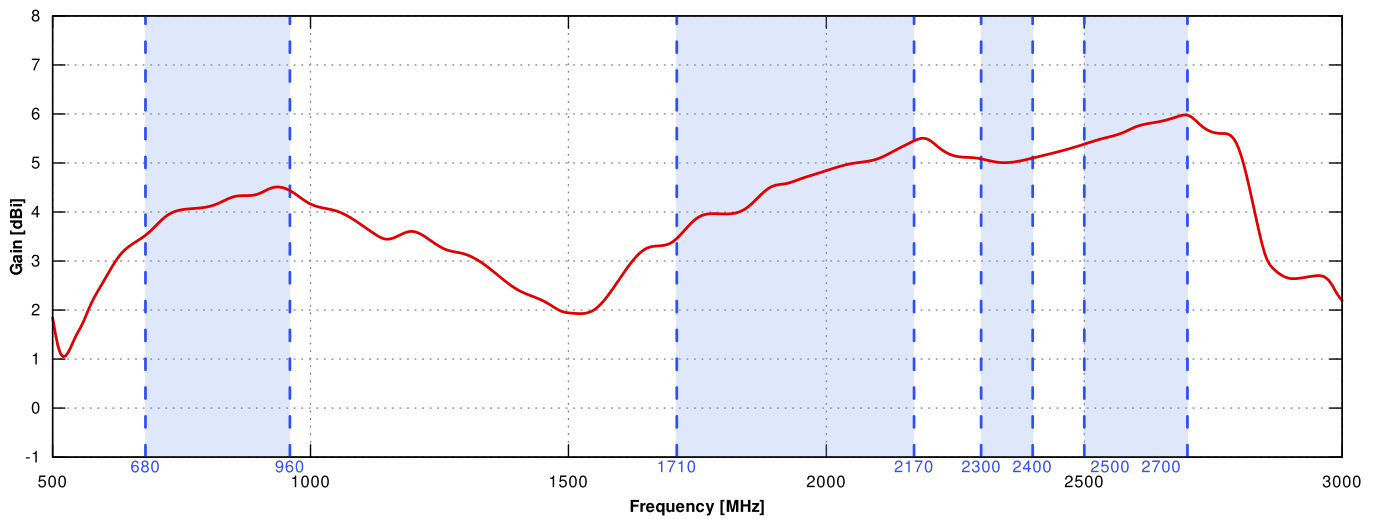
 2700
MHz

PLOTS

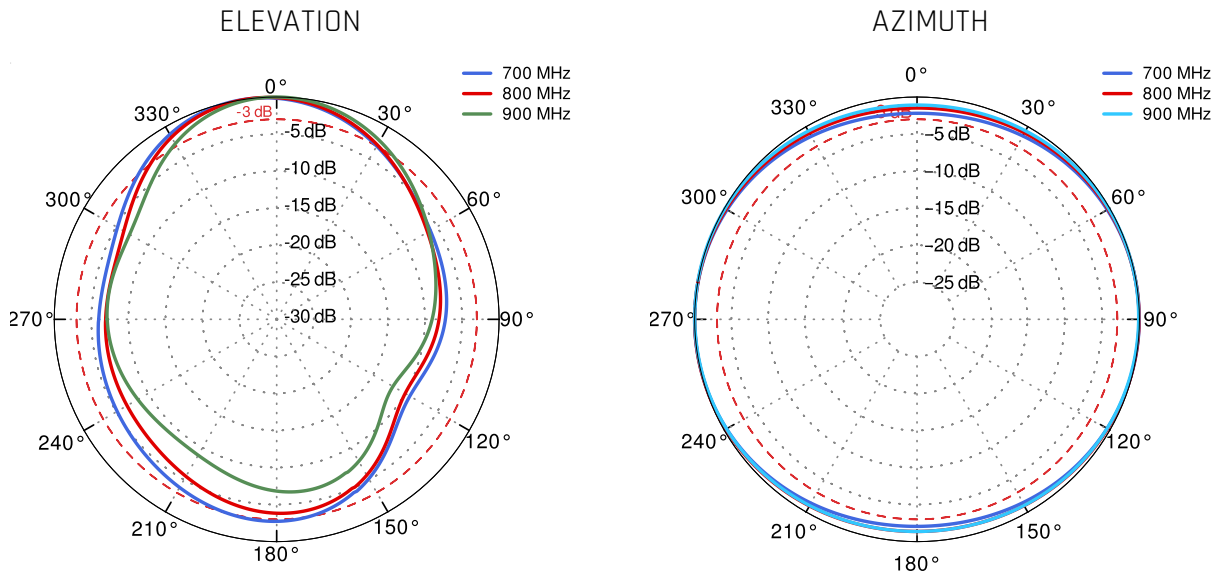
VSWR for LTE antenna



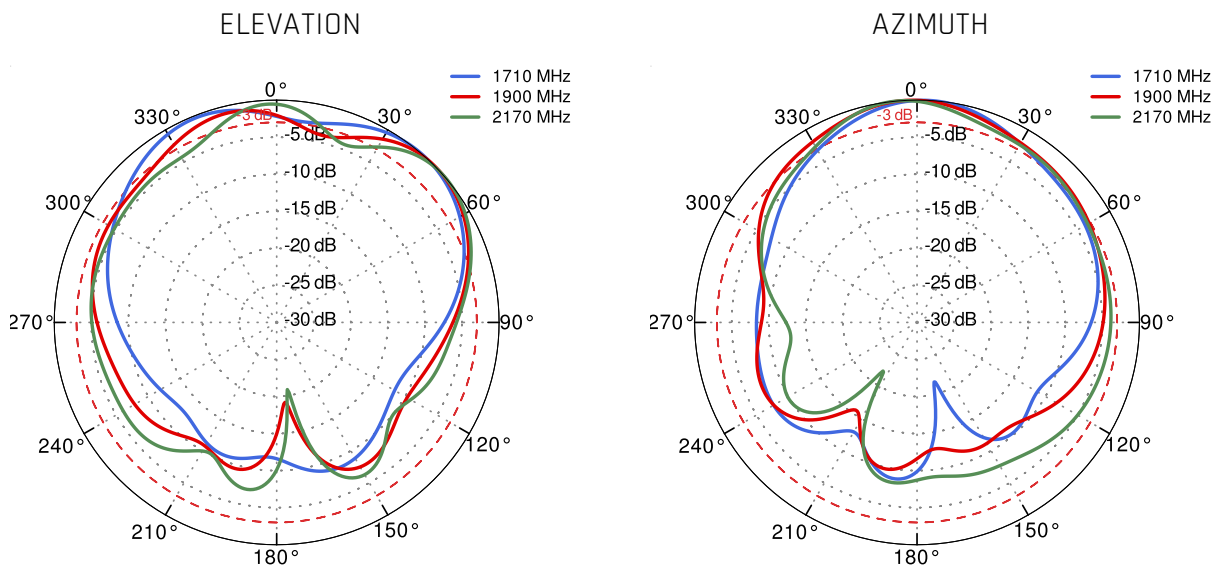
Gain for LTE antenna



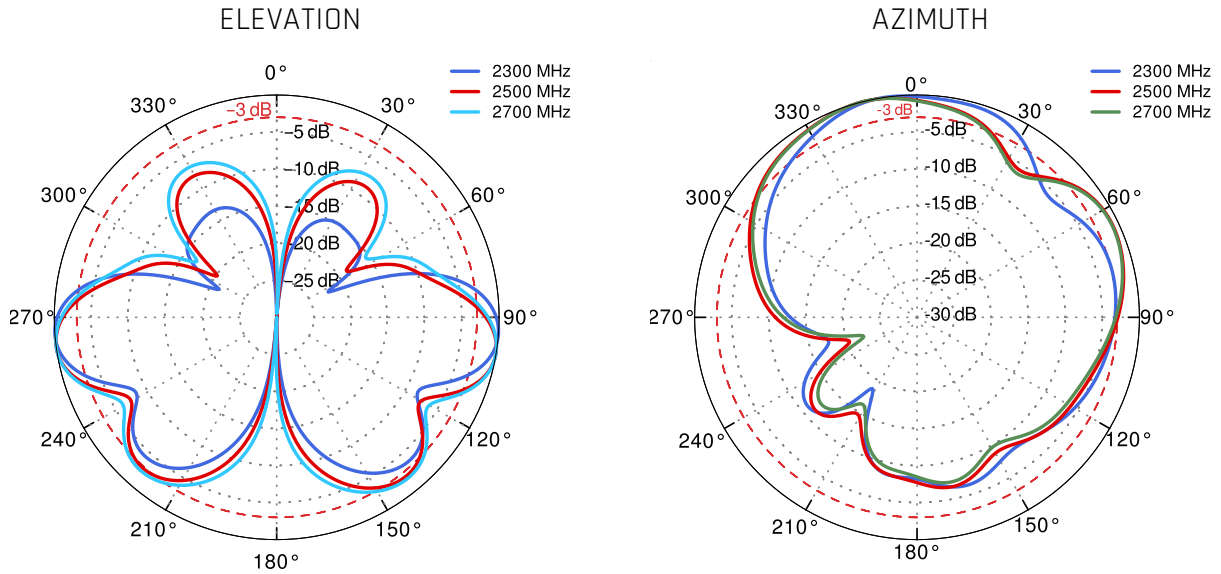
LTE from 700MHz to 900MHz



LTE from 1.71GHz to 2.17GHz



LTE from 2.3GHz to 2.7GHz



DIMENSIONS

