

# Tongue Interlock Safety Switch Type: INCH-3

## FEATURES:

IDEM INCH-3 Compact Safety Interlock switches are designed to provide position interlock detection for small moving guards. They are designed to fit to the leading edge of sliding, hinged or lift off machine guards.

The rugged Stainless Steel actuator profile is designed to match a cam mechanism to provide a positively operated not easily defeated interlock mechanism.

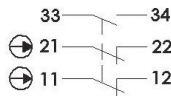
The compact body, 18mm fixing profile and rotatable head make them easy to install where space is restricted.

The rotatable heads have dual actuator entry positions to give up to 8 different entry positions.

3 conduit entry points are available to give flexible mounting options. Contact blocks are replaceable.

## CONTACT BLOCK:

Slow Make Break 2NC 1NO

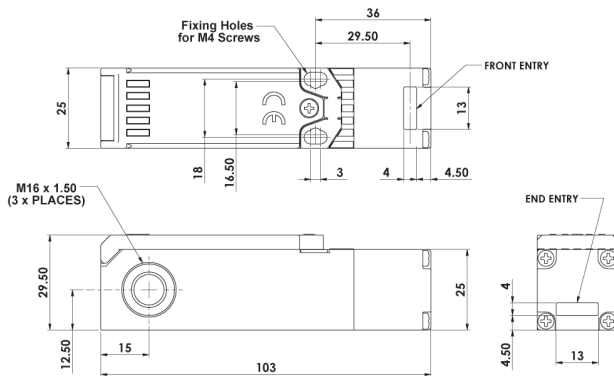


## CONTACT OPERATION:

2NC 1NO 4.5 4.0 0mm

11/12	Open	
21/22	Open	
33/34		Open

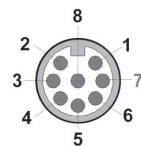
## PRODUCT DIMENSIONS:



### Stainless Steel Guide:

To assist with guard alignment IDEM recommend that you use the Stainless Steel Guide accessory (supplied with two stainless steel self-tapping screws).

SALES NUMBER - INCH 3 STAINLESS STEEL GUIDE 140179



Switch Circuit	Quick Connect (QC) M12 8 Way Male (on Flying Lead 250mm) Pin View from Switch
11/12	1 7
21/22	6 5
33/34	4 3

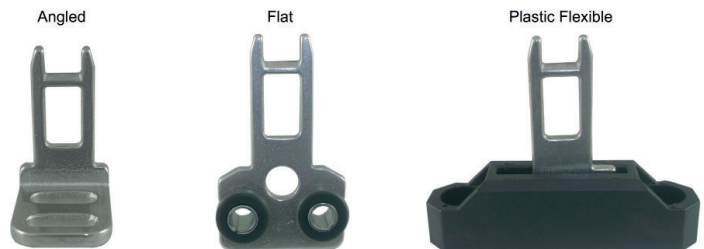
FEMALE QC LEADS	LENGTH	SALES NUMBER
M12 8 Way	5m (15ft)	140101
M12 8 Way	10m (30ft)	140102



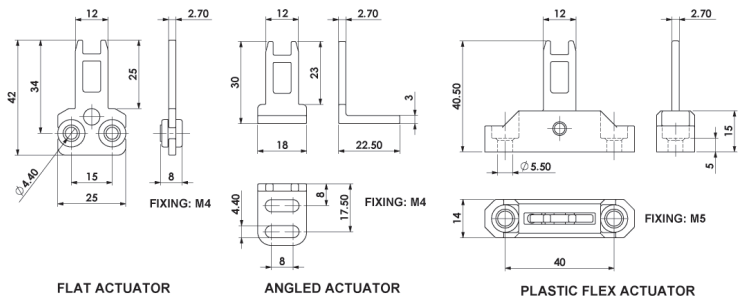
## STAINLESS STEEL HEAD



## INCH-3 ACTUATOR OPTIONS:



## ACTUATOR DIMENSIONS:



Standards: ISO14119 EN60947-5-1 EN60204-1  
ISO13849-1 EN62061 UL508

### Safety Classification and Reliability Data:

Mechanical Reliability B10d	2.5 x 10 <sup>6</sup> operations at 100mA load
ISO13849-1	Up to PLE depending upon system architecture
EN62061	Up to SIL3 depending upon system architecture
Safety Data – Annual Usage	8 cycles per hour/24 hours per day/365 days
	MTTFd 356 years
Utilization Category	AC15 A300 3A
Thermal Current	10A
Rated Insulation/Withstand Voltages	600Vac/2500Vac
Travel for Positive Opening	6mm
Actuator Entry Minimum Radius	150mm Standard 100mm Flexible
Maximum Approach/Withdrawal Speed	600mm/s
Body Material	UL approved glass fibre Polyester
Head Material	Stainless Steel 316
Enclosure Protection	IP67
Vibration	IEC 68-2-6 10-55Hz + 1Hz Excursion 0.35mm 1 octave/min
Conduit Entry	3xM16
Fixing	2 x M4

PRODUCT	CONTACTS	SALES NUMBER	
		M16	QC M12 8 WAY
INCH-3 Switch	2NC 1NO	223001	223002
Actuator	Flat	Add F to Sales Number	
Actuator	Angled	Add A to Sales Number	
Actuator	Plastic Flexible	Add PF to Sales Number	

Gold Plated Contacts available for low power circuits (5V 5mA).  
Add GC to Sales Number e.g. 223001-GC

