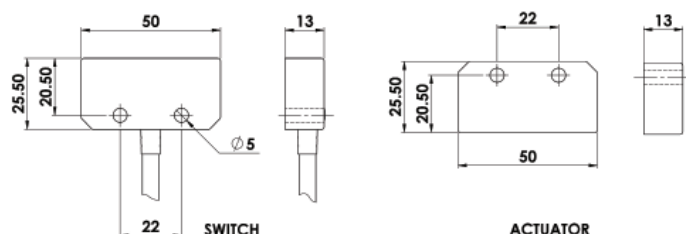


HYGIEMAG - Magnetic Non Contact Type: SMR-H

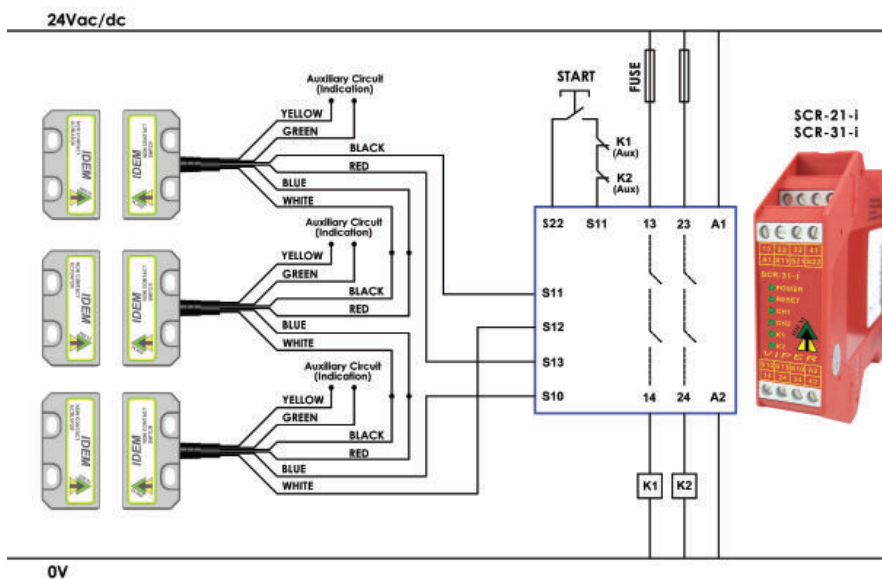
FEATURES:

Robust Stainless Steel 316 enclosure designed to survive Food Processing, Packaging and Pharmaceutical applications
Through hole fixing to enable front mounting by Hexagon head bolts - no food trap areas
Suitable for CIP and SIP cleaning -
Food Contact or Food Splash Zones EHEDG guidelines
Universal Housing - 22mm fixing hole centre with 50mm wide body
Wide sensing at 12mm with high tolerance to misalignment
Up to: PLe ISO13849-1
2NC 1NO circuits
Quick Connect versions available

DIMENSIONS:



CONNECTION EXAMPLE: Magnetic Switches



Standards: ISO14119 EN60947-5-3
EN60204-1 ISO13849-1 EN62061 UL508

Safety Classification and Reliability Data:

Mechanical Reliability B10d	3.3 x 10 ⁶ operations at 100mA load
ISO13849-1	Up to PLe depending upon system architecture
Safety Data – Annual Usage	8 cycles per hour/24 hours per day/365 days
	MTTFd 470 years
Safety Channel 1 NC	Voltage Free: 250Vac 1.0A Max. Rating
Safety Channel 2 NC	Voltage Free: 250Vac 1.0A Max. Rating
Safety Channel 3 NO	Voltage Free: 24Vdc 0.2A Max. Rating
Fuse	Internal 1.0A (F) External 0.8A (F) (User)
Contact Release Time	<2ms
Initial Contact Resistance	<500 milliohm
Minimum Switched Current	10Vdc 1mA
Dielectric Withstand	250Vac
Insulation Resistance	100 Mohms
Recommended Setting Gap	5mm
Switching Distance (Target to Target)	Sao 8mm Close
	Sar 22mm Open
Tolerance to Misalignment	5mm in any direction from 5mm setting gap
Switching Frequency	1.0Hz maximum
Approach Speed	200mm/min to 1000mm/sec
Body Material	Stainless Steel 316 mirror polished finish to Ra4
Operating Temperature	-25C +105C (CIP SIP cleaning)
Enclosure Protection	IP69K (NEMA PW12) IP67 (NEMA 6)
Shock Resistance	IEC68-2-27 11ms 30g
Vibration Resistance	IEC68-2-6 10-55Hz 1mm
Cable Type	PVC 6 core 6mm OD Conductors 0.25mm ²
Mounting Bolts	2xM4 Tightening torque 1.0Nm
Mounting Position	Any

For all IDEM switches the normally closed (NC) circuits are closed when the guard is closed and the actuator is present.

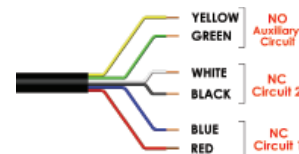
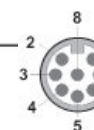


Stainless Steel 316 Housing mirror polished (Ra4)
Magnetic Actuation
Switching Tolerance up to 12mm
Will operate with most Safety Relays



Use Hexagon Head Bolts for ease of cleaning

Three switches connected to an SCR-21-i or SCR-31-i to give Dual Channel guard monitoring with monitored Manual Start and Contactor Feedback check. Auxiliary circuits provide remote signalling from each switch.



Quick Connect QC M12 8 Way Male Plug Pin view from Switch	Standard Lead Colour	Circuit (Actuator Present)
4	Yellow	NO
6	Green	NO
7	Black	NC2
1	White	NC2
2	Red	NC1
3	Blue	NC1

SALES NUMBER	TYPE	CABLE LENGTH	CIRCUITS
132009	Hygiemag SMR-H	2M	2NC
132010	Hygiemag SMR-H	5M	2NC
132011	Hygiemag SMR-H	10M	2NC
132012	Hygiemag SMR-H	QC-M12	2NC
132013	Hygiemag SMR-H	2M	2NC 1NO
132014	Hygiemag SMR-H	5M	2NC 1NO
132015	Hygiemag SMR-H	10M	2NC 1NO
132016	Hygiemag SMR-H	QC-M12	2NC 1NO

140101	Female QC Lead	M12 Female 5m. 8 way
140102	Female QC Lead	M12 Female 10m. 8 way