

HYGIECODE - Coded Non Contact Type: SMC-H

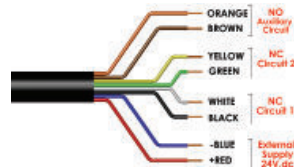
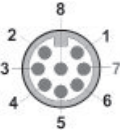
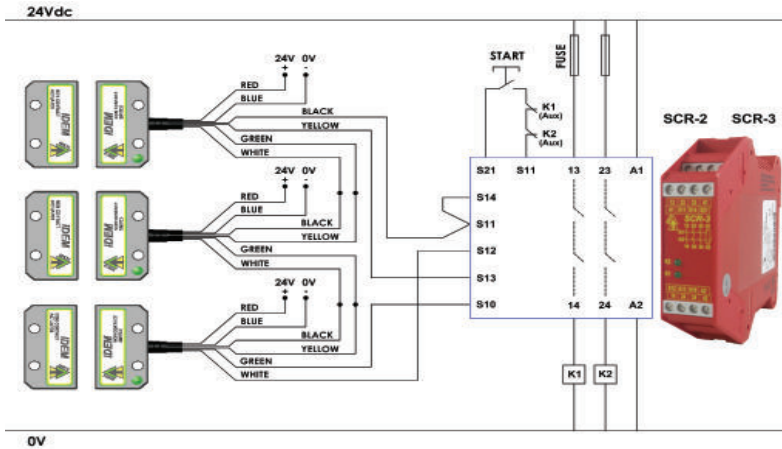
FEATURES:

- Designed for Food Processing and Pharmaceutical applications
- Through hole fixing for front mounting by hexagon bolts - no food trap areas
- Suitable for CIP and SIP cleaning - Food Contact or Splash Zones EHEDG Guidelines
- Wide 14mm sensing with high tolerance to misalignment
- Universal fitting, established 22mm fixing footprint - suits most applications
- Can be high pressure hosed at high temperature
- Up to: PLe ISO13849-1
- 2NC 1NO circuits - high switching life - no moving parts
- Quick Connect versions available



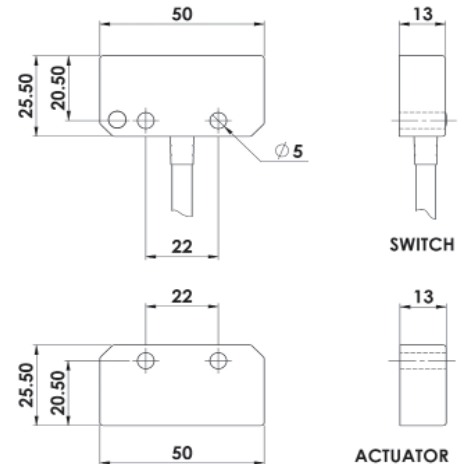
Stainless Steel 316 Housing mirror polished (Ra4)
Coded Magnetic Actuation
Switching Tolerance up to 14mm
Will operate with most Safety Relays

CONNECTION EXAMPLE: CODED SWITCHES



140101	Female QC Lead	M12 Female 5m. 8 way
140102	Female QC Lead	M12 Female 10m. 8 way

DIMENSIONS:



Quick Connect QC M12 8 Way Male Plug Pin view from Switch	Flying Lead Colour	Circuit (Actuator Present)	Output Types Solid State
8	Orange	Auxiliary NO or NC	200mA Max. 24Vdc
5	Brown	Auxiliary NO or NC	200mA Max. 24Vdc
4	Yellow	Safety NC2	200mA Max. 24Vdc
6	Green	Safety NC2	200mA Max. 24Vdc
7	Black	Safety NC1	200mA Max. 24Vdc
1	White	Safety NC1	200mA Max. 24Vdc
2	Red	Supply +24Vdc	Supply 24Vdc
3	Blue	Supply 0Vdc	+/- 10%

Standards: ISO14119 EN60947-5-3
 EN62024-1 ISO13849-1 EN62061 UL508

Safety Classification and Reliability Data:

ISO13849-1	Up to PLe Category 4
PFHd	2.6 x 10 ⁻¹⁰
Proof Test Interval (Life)	20 years
MTTFd	866 years
Safety Channel 1 NC	24Vdc 0.2A Max. Rating
Safety Channel 2 NC	24Vdc 0.2A Max. Rating
Safety Channel 3 NO	24Vdc 0.2A Max. Rating
Minimum Switched Current	10Vdc 1mA
Dielectric Withstand	250Vac
Insulation Resistance	100 Mohms
Recommended Setting Gap	5mm
Switching Distance (Target to Target)	Sao 10mm Close Sar 20mm Open
Tolerance to Misalignment	5mm in any direction from 5mm setting gap
Switching Frequency	1.0Hz maximum
Approach Speed	200mm/min to 1000mm/sec
Body Material	Stainless Steel 316 mirror polished finish to Ra4
Operating Temperature	-25C +105C (CIP SIP cleaning)
Enclosure Protection	IP69K IP67
Shock Resistance	IEC68-2-27 11ms 30g
Vibration Resistance	IEC68-2-6 10-55Hz 1mm
Cable Type	PVC 6 or 8 core 6mm OD Conductors 0.25mm ²
Mounting Bolts	2xM4 Tightening torque 1.0Nm
Mounting Position	Any

For all IDEM switches the normally closed (NC) circuits are closed when the guard is closed and the actuator is present.

SALES NUMBER	TYPE	CABLE LENGTH	CIRCUITS
132001	Hygiecode SMC-H	2M	2NC
132002	Hygiecode SMC-H	5M	2NC
132003	Hygiecode SMC-H	10M	2NC
132004	Hygiecode SMC-H	QC-M12	2NC
132005	Hygiecode SMC-H	2M	2NC 1NO
132006	Hygiecode SMC-H	5M	2NC 1NO
132007	Hygiecode SMC-H	10M	2NC 1NO
132008	Hygiecode SMC-H	QC-M12	2NC 1NO
132105	Hygiecode SMC-H	2M	3NC
132106	Hygiecode SMC-H	5M	3NC
132107	Hygiecode SMC-H	10M	3NC
132108	Hygiecode SMC-H	QC-M12	3NC

Note: 2NC 1NO versions have 2NC Safety and 1NO Auxiliary Circuits
 3NC versions have 2NC Safety and 1NC Auxiliary Circuits
AVAILABLE WITHOUT LED IF REQUIRED.