

# Mini Belt Alignment Switches TYPE: HLM-SS-CBA



## APPLICATIONS:

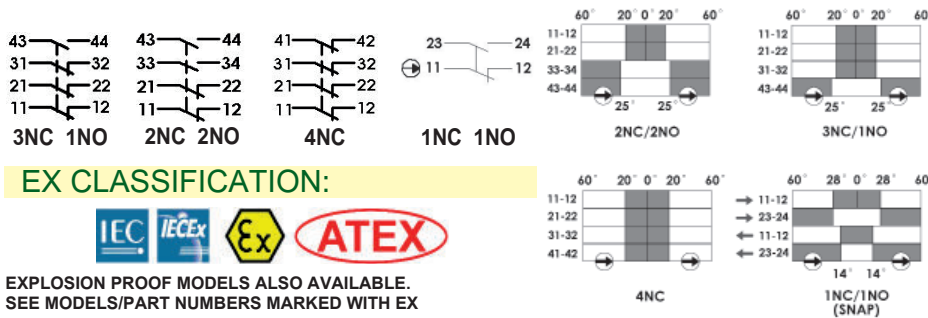
IDEM's HLM-SS-CBA mini conveyor belt alignment switches are manufactured in Stainless Steel 316 and come with either plastic roller or stainless steel roller. They are available with either slow break or snap action contacts.

## FEATURES:

- Fully Stainless Steel 316 housing
- Positive opening NC safety contact to EN60947-5-1
- High mechanical life over 500,000 cycles
- Industry standard mounting to EN50041
- Choice of Stainless Steel or Plastic Roller

## CONTACT BLOCKS:

Contact blocks provide positively operated safety contacts to EN60947-5-1 with optional Explosion Proof versions available.

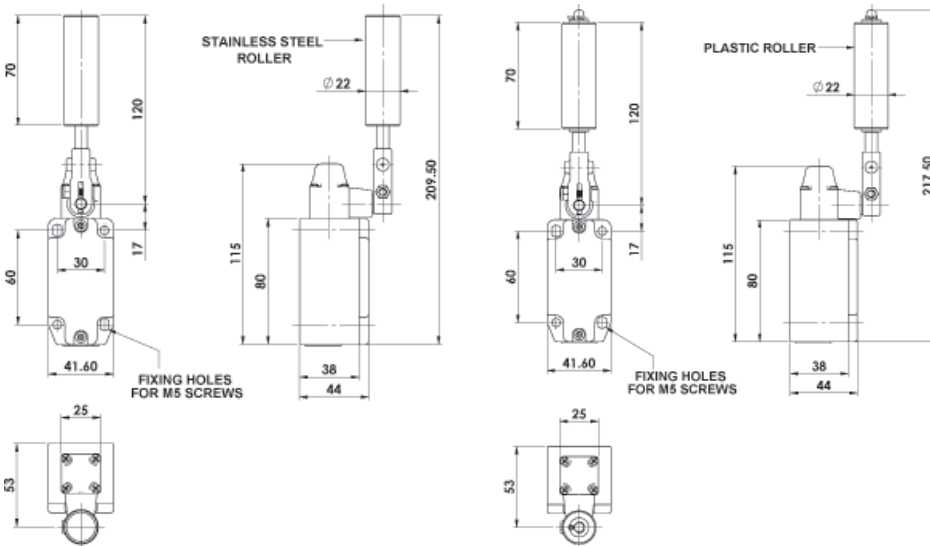


## EX CLASSIFICATION:



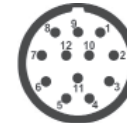
EXPLOSION PROOF MODELS ALSO AVAILABLE. SEE MODELS/PART NUMBERS MARKED WITH EX

## DIMENSIONS:



HLM-SS-CBA-P  
Plastic Roller

HLM-SS-CBA-S  
S/Steel Roller



Quick Connect (QC) M23 12 Way Male (connector length 26mm) (pin view from switch)	Switch Circuit
1 3	11/12
4 6	21/22
7 8	33/34 or 31/32
9 10	41/42 or 43/44
12	Earth

## ORDERING:

HLM-SS-CBA-P with PLASTIC ROLLER	SALES NUMBERS		
	M20	1/2"NPT	QC M23
2NC 2NO	175401	175402	175403
3NC 1NO	175404	175405	175406
4NC	175407	175408	175409
1NC 1NO Snap	175410	175411	175412
1NC 1NO EX	175413	3m 4 core Ex	
2NC EX	175414	3m 4 core Ex	
2NC 2NO EX	175415	3m 8 core Ex	

HLM-SS-CBA-S with STAINLESS STEEL ROLLER	SALES NUMBERS		
	M20	1/2"NPT	QC M23
2NC 2NO	175451	175452	175453
3NC 1NO	175454	175455	175456
4NC	175457	175458	175459
1NC 1NO Snap	175460	175461	175462
1NC 1NO EX	175463	3m 4 core Ex	
2NC EX	175464	3m 4 core Ex	
2NC 2NO EX	175465	3m 8 core Ex	

## TECHNICAL SPECIFICATIONS:

**Standards:** ISO14119 EN60947-5-1 EN60204-1  
ISO13849-1 EN62061 UL508

### Safety Classification and Reliability Data:

Mechanical Reliability B10d  
Positive Opening Operation NC contacts  
Utilisation Category AC15 A300 240V 3A  
Minimum Current 5V 5mA dc  
Thermal Current (Ith) 10A  
Rated Insulation Voltage 300Vac  
Rated Impulse Withstand 2500Vac  
Maximum Switching Speed 250mm/sec  
Housing Material Stainless Steel 316  
Roller Material: Stainless Steel or Plastic  
Enclosure Protection IP69K  
Operating Temperature -25C to +80C  
Electrical Life Expectancy 100,000 cycle min (at full load)  
Vibration IEC68-2-6 10-55Hz 0.35mm  
Conductor Size 1.5mm<sup>2</sup>  
Fixing M5 bolts  
Operating Torque 1.10Nm Plastic Roller  
1.40Nm Stainless Steel Roller