

# S60AD Series



S60AD Series

## PRODUCT SPECIFICATION

S60ADL | S60ADS  
S60ADB

**Materials** Lens-AS, Body-ABS,  
Reflector-Heat resistant ABS  
**Ambient operating temperature** -30°C to +50°C  
**Volume** Max.95dB at 1m  
**Protection rating** IP54  
**Revolving speed** 60-80/min

- Ø60mm warning light with high volume built-in buzzer in a vertical configuration
- Cone-shaped horn helps diffuse sound to generate clear and distinctive sound signals
- Suitable for applications that require downward audible signals in elevated locations

### S60ADL Signal/Warning Lights with High Volume Built-in Buzzer

Model number	Voltage	Current	Certificates	Weight	Color
S60ADL	DC12V	165mA	CE	0.17kg	<ul style="list-style-type: none"> <li><span style="color: red;">●</span> R-Red</li> <li><span style="color: yellow;">●</span> A-Amber</li> <li><span style="color: green;">●</span> G-Green</li> <li><span style="color: blue;">●</span> B-Blue</li> </ul>
	DC24V	125mA		0.17kg	
	AC110V	55mA		0.32kg	
	AC220V	35mA		0.32kg	

- LED reflector with multi-tiered design provides an even and clear illumination throughout the entire lens
- Selectable between steady and flashing mode

### S60ADS Signal/Warning Lights with High Volume Built-in Buzzer

Model number	Voltage	Current	Certificates	Weight	Color
S60ADS	DC12V	550mA	CE	0.29kg	<ul style="list-style-type: none"> <li><span style="color: red;">●</span> R-Red</li> <li><span style="color: yellow;">●</span> A-Amber</li> <li><span style="color: green;">●</span> G-Green</li> <li><span style="color: blue;">●</span> B-Blue</li> </ul>
	DC24V	285mA		0.29kg	
	AC110V	85mA		0.27kg	
	AC220V	75mA		0.27kg	

### S60ADB Signal/Warning Lights with High Volume Built-in Buzzer

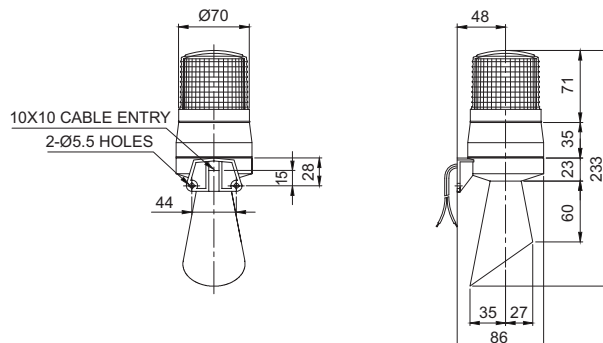
Model number	Voltage	Current	Bulb			Certificates	Weight	Color
			Spec	Standard	Parts no			
S60ADB	DC12V	1A	12V10W	T16x35 15S	9	CE	0.19kg	<ul style="list-style-type: none"> <li><span style="color: red;">●</span> R-Red</li> <li><span style="color: yellow;">●</span> A-Amber</li> <li><span style="color: green;">●</span> G-Green</li> <li><span style="color: blue;">●</span> B-Blue</li> </ul>
	DC24V	555mA	24V10W	T16x35 15S	10		0.19kg	
	AC110V	160mA	110V10W	T16x35 15S	12		0.18kg	
	AC220V	115mA	220V10W	T16x35 15S	13		0.18kg	

- Employs a special filament to prevent damage caused by possible voltage variations
- Selectable between steady and flashing mode

### Technical Diagram

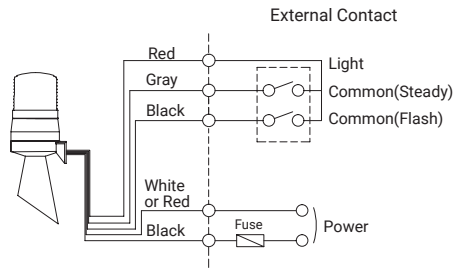
·S60ADL / S60ADS / S60ADB

Units: mm

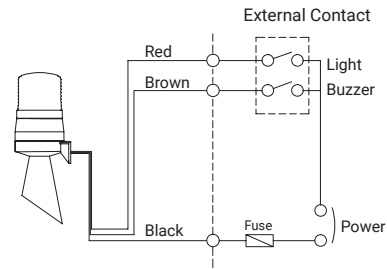


## Wiring Instructions

### ·S60ADB-DC/AC



### ·S60ADL / S60ADS-DC/AC



- S60ADB: External Power line UL1015 AWG18(0.75sq) x 2C 400mm  
External signal line - UL1007 AWG22(0.3sq) 400mm
- S60ADL / S60ADS: External Power line UL1007 AWG22(0.3sq) 400mm
- This product can be wired regardless of polarity.

## Customization

- 2 buzzer sound types: Both prolonged(beep, beep) and staccato(beep, beep, beep) buzzer output available
- Strong buzzer type 105dB(model number: S60AD-HBZ)

## Ordering Specification

<b>S60ADL</b>	-	<b>220</b>	-	<b>R</b>
[Model number]		[Voltage]		[Color]
S60ADL		12-DC12V		● R-Red
S60ADS		24-DC24V		● A-Amber
S60ADB		110-AC110V		● G-Green
		220-AC220V		● B-Blue