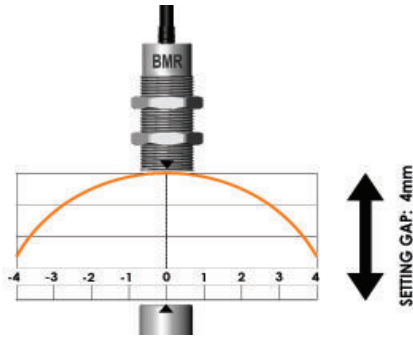


# HYGIEMAG - Magnetic Non Contact Type: BMR (M18)

## FEATURES:

M18 cylindrical fitting suitable for all industry applications.  
 Easy to install - M18 threaded body - easy to set  
 Typical switching distance 8mm  
 Suitable for harsh environments of Food Processing and Packaging  
 Up to: PLe ISO13849-1  
 2NC 1NO circuits  
 Quick Connect versions available

## SETTING GAP:

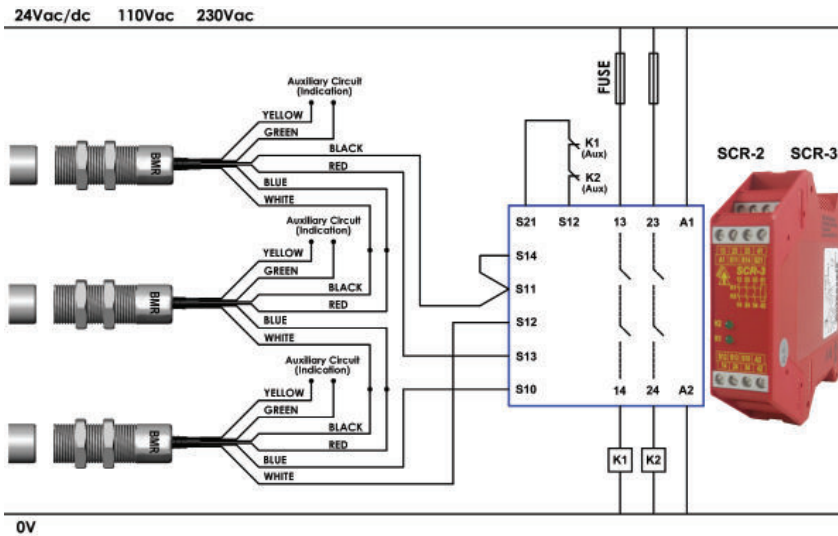


**Stainless Steel 316 Housing**  
**Magnetic Actuation**  
**Typical Switching Distance 8mm**  
**Will operate with most Safety Relays**  
**Quick Connect versions available**



Quick Connect M12 versions fitted with 250mm (10") cable

## CONNECTION EXAMPLE: Magnetic Switches



Three switches connected in series to an SCR-2 or SCR-3 to give Dual Channel guard monitoring with Automatic Start and Contactor Feedback Check.

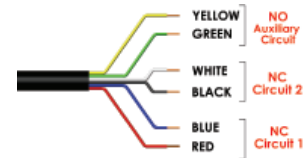
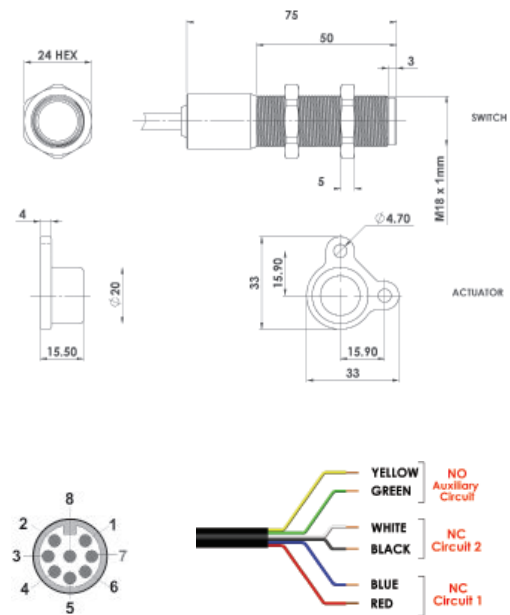
**Standards:** ISO14119 EN60947-5-3  
 EN60204-1 ISO13849-1 EN62061 UL508

### Safety Classification and Reliability Data:

Mechanical Reliability B10d	3.3 x 10 <sup>6</sup> operations at 100mA load
ISO13849-1	Up to PLe depending upon system architecture
Safety Data – Annual Usage	8 cycles per hour/24 hours per day/365 days
	MTTFd 470 years
Safety Channel 1 NC	Voltage Free: 250Vac 0.5A Max. Rating
Safety Channel 2 NC	Voltage Free: 250Vac 0.5A Max. Rating
Safety Channel 3 NO	Voltage Free: 24Vdc 0.2A Max. Rating
Minimum Switched Current	10Vdc 1mA
Dielectric Withstand	250Vac
Insulation Resistance	100 Mohms
Recommended Setting Gap	5mm
Switching Distance	Sao 5mm Close
(Target to Target)	Sar 20mm Open
Tolerance to Misalignment	4mm in any direction from 4mm setting gap
Switching Frequency	1.0Hz maximum
Approach Speed	200mm/min to 1000mm/sec
Body Material	Stainless Steel 316
Operating Temperature	-25C +105C (CIP SIP cleaning)
Enclosure Protection	IP69K IP67
Shock Resistance	IEC68-2-27 11ms 30g
Vibration Resistance	IEC68-2-6 10-55Hz 1mm
Cable Type	PVC 6 core 6mm OD Conductors 0.25mm <sup>2</sup>
Mounting Position	Any

For all IDEM switches the normally closed (NC) circuits are closed when the guard is closed and the actuator is present.

## DIMENSIONS:



Quick Connect QC M12 8 Way Male Plug Pin view from Switch	Standard Lead Colour	Circuit (Actuator Present)
4	Yellow	NO
6	Green	NO
	Black	NC2
1	White	NC2
2	Red	NC1
3	Blue	NC1

SALES NUMBER	TYPE	CABLE LENGTH	CIRCUITS
416009	Hygiemag BMR S/Steel 316	2M	2NC
416010	Hygiemag BMR S/Steel 316	5M	2NC
416011	Hygiemag BMR S/Steel 316	10M	2NC
416012	Hygiemag BMR S/Steel 316	QC-M12	2NC
416013	Hygiemag BMR S/Steel 316	2M	2NC 1NO
416014	Hygiemag BMR S/Steel 316	5M	2NC 1NO
416015	Hygiemag BMR S/Steel 316	10M	2NC 1NO
416016	Hygiemag BMR S/Steel 316	QC-M12	2NC 1NO

	140101	Female QC Lead	M12 Female 5m. 8 way
	140102	Female QC Lead	M12 Female 10m. 8 way