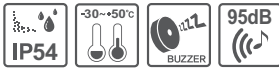
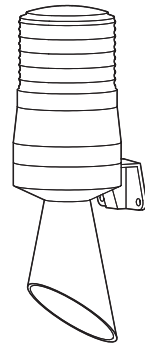


Signal Light with High Volume Built-in Buzzer

S60ADB/ S60ADL/ S60ADS



Thank you for purchasing Qlight's products. Please read this user manual carefully prior to installation and operation to ensure safe and correct use.

⚠ Precautions for Safety

Failure to follow the instructions below may cause a loss of life or serious physical injury.

1. During wiring or maintenance, please completely turn off the power of the product. (Failure to follow this may lead to an electric shock.)
2. Do not install the product in locations that subjects it to excessive dust or water other than the conditions designated by the IP protection ratings indicated for each product. (Failure to follow these instructions may cause a fire to the product, electric shock, physical injury, malfunction or damage to the product.)
3. Do not alter or repair this product. If maintenance or repair service is required, please contact your local Qlight contact point. (Failure to follow these instructions may lead to fire, electric shock, or product damage.)
4. Please apply the correct voltage to the product. (Failure to follow these instructions may lead to fire, electric shock, or product damage.)
5. When the product is applied to a condition that may impact lives or property, please make sure to have a double safety device. (Failure to follow this may cause damage to property, fire, electric shock and loss of life.)

⚠ Precautions for Correct Use

Failure to follow the proper instructions may cause damage to property, the product, or malfunction of the product that would void the warranty.

1. Please remove any objects that can interrupt ventilation around the product.
2. Please turn off the power of the product immediately if it fails to operate properly.
3. Carefully wire the product according to each product's specification.
4. Please be careful in preventing chemicals such as thinner, benzene, etc. in contact with the surface of the product.
5. Do not apply excessive force/impact to the product.
6. Failure to follow any of the instructions above may cause malfunction or damage to the product, fire, and electric shock.

Ordering Specifications

| S60ADL | - | 220 | - | R |
|----------------|---|--------------|---|---------|
| [Model number] | | [Voltage] | | [Color] |
| | | | | |
| • S60ADL | | • 12-DC12V | | R-Red |
| • S60ADS | | • 24-DC24V | | A-Amber |
| • S60ADB | | • 110-AC110V | | G-Green |
| | | • 220-AC220V | | B-Blue |



Please scan the QR code for more detailed product information.

www.qlight.com

Product Specifications

LED Steady/Flashing Signal Light

| Model number | Voltage | Current | Certificate | Weight | Color |
|--------------|---------|---------|-------------|--------|-----------|
| S60ADL | DC12V | 165mA | CE | 0.17kg | R - Red |
| | DC24V | 125mA | | 0.17kg | A - Amber |
| | AC110V | 55mA | | 0.32kg | G - Green |
| | AC220V | 35mA | | 0.32kg | B - Blue |

Xenon Lamp Strobe Signal Light

| Model number | Voltage | Current | Certificate | Weight | Color |
|--------------|---------|---------|-------------|--------|-----------|
| S60ADS | DC12V | 550mA | CE | 0.29kg | R - Red |
| | DC24V | 285mA | | 0.29kg | A - Amber |
| | AC110V | 85mA | | 0.27kg | G - Green |
| | AC220V | 75mA | | 0.27kg | B - Blue |

Bulb Steady/Flashing Signal Light

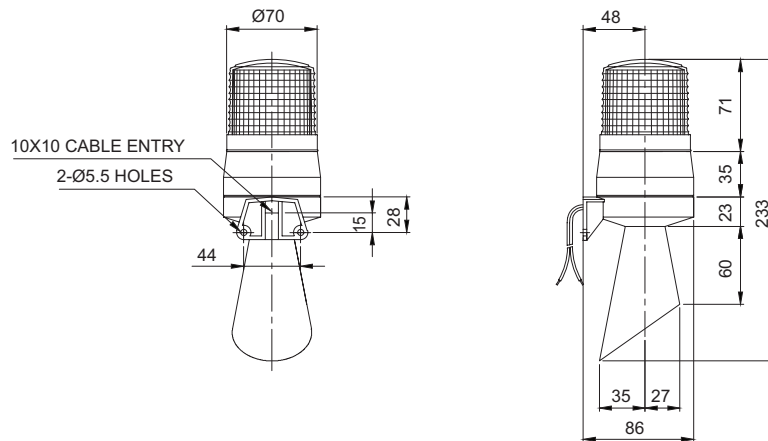
| Model number | Voltage | Current | Bulb specifications | | | Certificate | Weight | Color |
|--------------|---------|---------|---------------------|---------------|-------|-------------|--------|-----------|
| | | | Volts/Watts | Configuration | Part# | | | |
| S60ADB | DC12V | 1A | 12V10W | T16x35 15S | 9 | CE | 0.19kg | R - Red |
| | DC24V | 555mA | 24V10W | | 10 | | 0.19kg | A - Amber |
| | AC110V | 160mA | 110V10W | | 12 | | 0.18kg | G - Green |
| | AC220V | 115mA | 220V10W | | 13 | | 0.18kg | B - Blue |

- Buzzer sound volume : Max.95dB at 1m
- Protection rating : IP54
- Ambient operating temperature : -30°C to +50°C

Dimensions

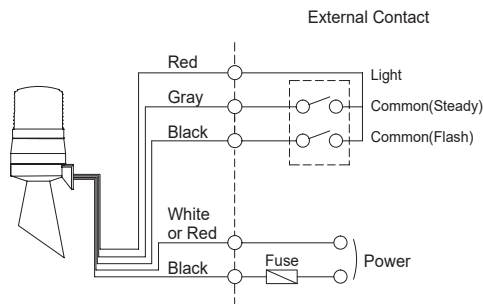
(Units : mm)

S60ADL/ S60ADS/ S60ADB

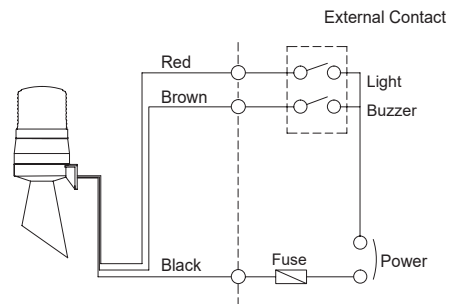


Wiring Instructions

S60ADB-DC/AC



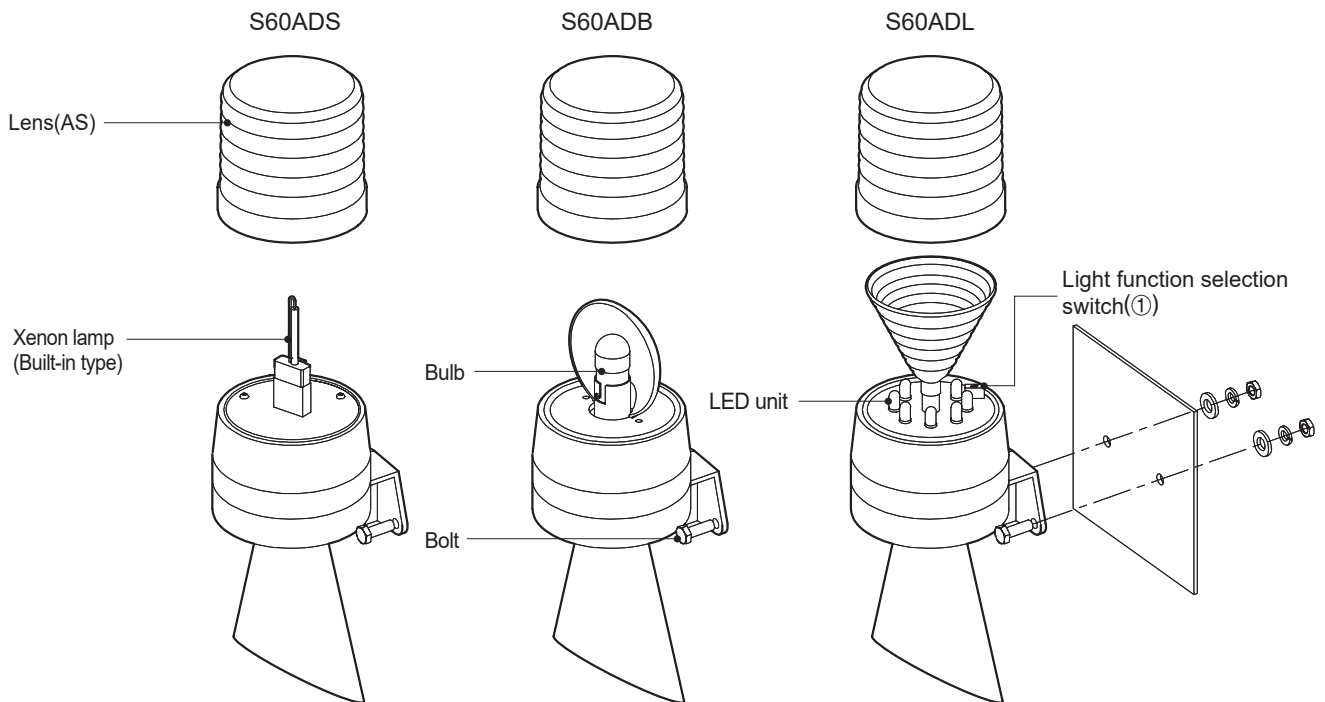
S60ADL/ S60ADS-DC/AC



- S60ADB : External power line - UL1015 AWG18(0.75sq) x 2C 400mm
External signal line - UL1007 AWG22(0.3sq) 400mm
- S60ADL/ S60ADS : External power line - UL1007 AWG22(0.3sq) 400mm
- This product can be wired regardless of polarity.

Parts Definition/ Installation/ Light Function Selection

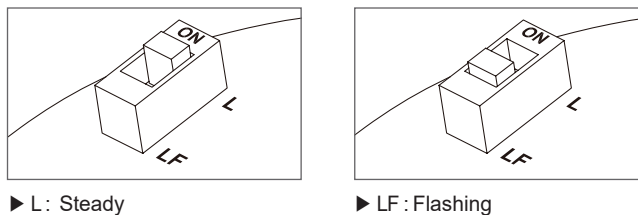
■ Parts Definition/ Installation



- First, machine taps or holes on the mounting surface.
- The mounting hole of this product bracket is 6mm in diameter.
- When machining taps, fasten the bolt through the mounting hole of the bracket.
- When machining holes, insert the bolt through the hole of the bracket, and tighten the nut from the opposite side of the mounting surface.

■ Light Function Selection(S60ADL only)

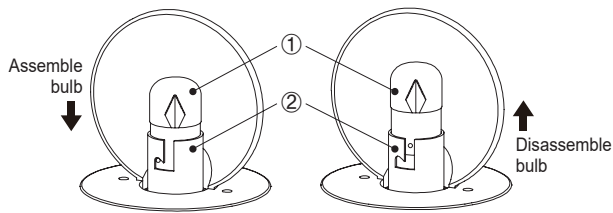
- Please refer to the chart below to use light function selection switch(1) located inside the product.



- Default function is set at steady LED. Select the desired function for your application during installation.

Bulb Replacement Instructions(S60ADB)/ Mounting Hole Specifications

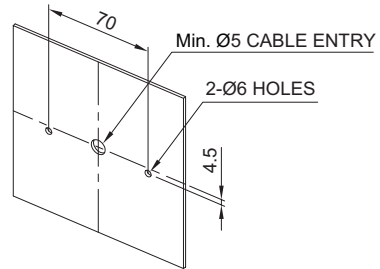
■ Bulb Replacement Instructions



- Please wait at least 1 minute after turning off the power before replacing the bulb.
- In order to disassemble the bulb, please push down the bulb(①) lightly and screw it counterclockwise.
- In order to put the bulb in to the unit, please place the bulb(①) in the socket(②) and screw it clockwise while lightly pushing down the bulb.

■ Mounting Hole Specifications

- Machine holes on the mounting surface referring to the diagram below.



S60ADL/ S60ADS/ A60ADB

Installation Environment and Protection Rating

- This product is designed for use with protection rating of IP54.
- If the product is installed in locations that subject it to excessive dust or water other than the designated IP protection rating indicated(IP54), it may cause malfunction or damage to the product.
- In case of outdoor applications, install the product in the upright position. Do not install the product horizontal or upside-down positions where water can potentially penetrate into the product and impact it's operation.
- For further information, please visit our website (www.qlight.com).

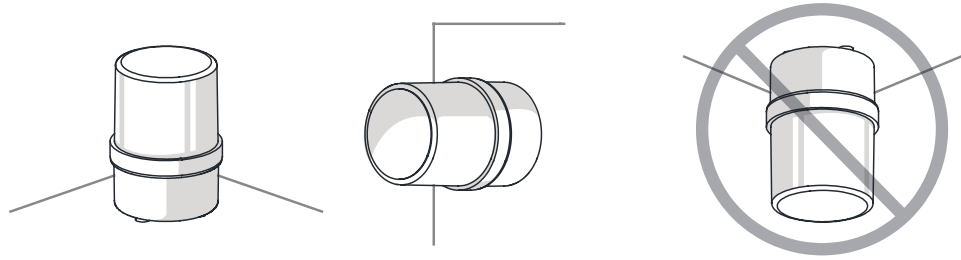
Product installation direction

- Install the product in accordance with the manual. Otherwise rainwater or moisture may penetrate into the product.

· BEACON/SIGNALING LIGHT

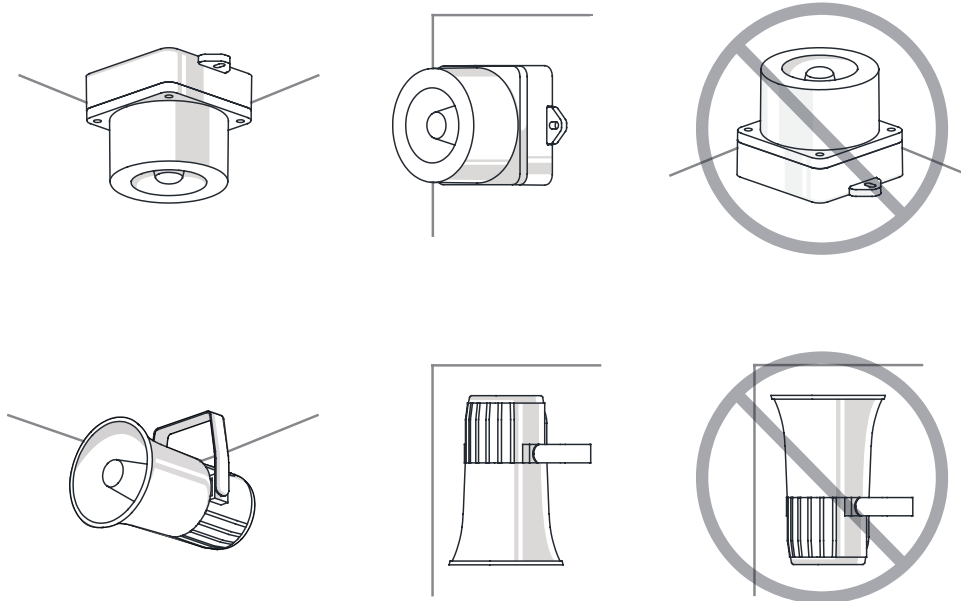
※ For products with a protection rating of less than IPX4, please install it vertically.

Power cord inlet part shall not be facing the sky.



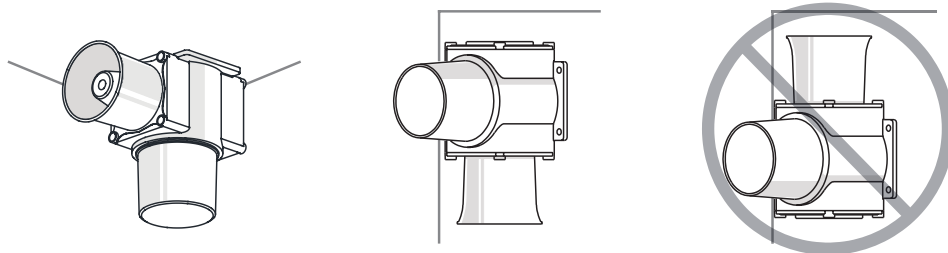
· ELECTRONIC SOUNDER/SIGNAL HORN

Sounder part shall not be facing the sky.



· HEAVY-DUTY & EXPLOSION PROOF SIGNALINGS

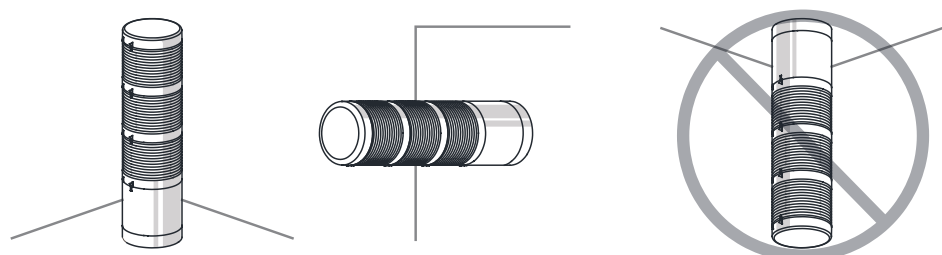
Sounder part shall not be facing the sky.

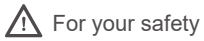


· SIGNAL TOWER LIGHTS

※ For products with a protection rating of less than IPX4, please install it vertically.

Power cord inlet part shall not be facing the sky.





For your safety

Specification and dimensions listed in this catalogue subject to change without notice for product quality improvement.
The newest product information is available on our website.(www.qlight.com)
Please read the instruction manual attached to the product carefully before installation and use.

Qlight Co., Ltd. www.qlight.com | trade@qlight.com

Head Office | Suite #1510, STX-V Tower, 128 Gasan digital 1-ro, Geumcheon-gu, Seoul, Korea

Tel. +82-2-2679-6152(Toll free. +82-80-328-2222) Fax. +82-2-2679-6154

Factory | 185-25, Mukbang-ro, Sangdong-myeon, Gimhae-si, Gyeongsangnamdo, Korea Tel. +82-55-328-1111(Toll free. +82-80-328-1111)

Qlight Overseas Sales Dept | 704 Nakdong-daero, Sasang-gu, Busan, Korea(Eomgung-Dong) Tel : +82-51-620-4100

Qlight Public Relations & Marketing Team Office | 704 Nakdong-daero, Sasang-gu, Busan, Korea(Eomgung-Dong) Tel. +82-51-245-0017

SHANGHAI Qlight Electronic Co., Ltd. www.qlight.com www.qlightcn.com | qlightcn@qlight.com

China Factory/ Shanghai Sales Office | #Room 333 Building B, #11, Lane 450, Zhenda Road, Baoshan District, Shanghai, China

Tel. +86-21-6651-7100 Fax. +86-21-6315-3929

China Factory Site 2 (Qidong) | #33, Haiyan Road, Qidong High-tech Industrial Development Zone, Qidong, Jiangsu Province, China

Tel +86-513-8384-9999 Fax +86-513-8384-9910

Qlightec

Innovation in Alarm & Signal

Product Operation Inquiry / Customer Support +82-51-620-4100

You can expect prompt service if you have exact information such as model name, symptom, telephone number and address.

※ALL PRODUCT, PRODUCT SPECIFICATIONS AND DATA ARE SUBJECT TO CHANGE WITHOUT NOTICE TO IMPROVE RELIABILITY, FUNCTION OR DESIGN OR OTHERWISE.

Head office : Suite #1510, STX-V Tower, 128 Gasan digital 1-ro, Geumcheon-gu, Seoul, Korea (Postal Code : 08507)

Factory : 185-25, Mukbang-Ro, Sangdong-Myeon, Gimhae-Si, Gyeongsangnam-Do, Korea (Postal Code : 50805)

www.qlight.com

EN - S60ADL - 2405A